

## LGNXT04CVLWF / LGNXT04CVLWFB

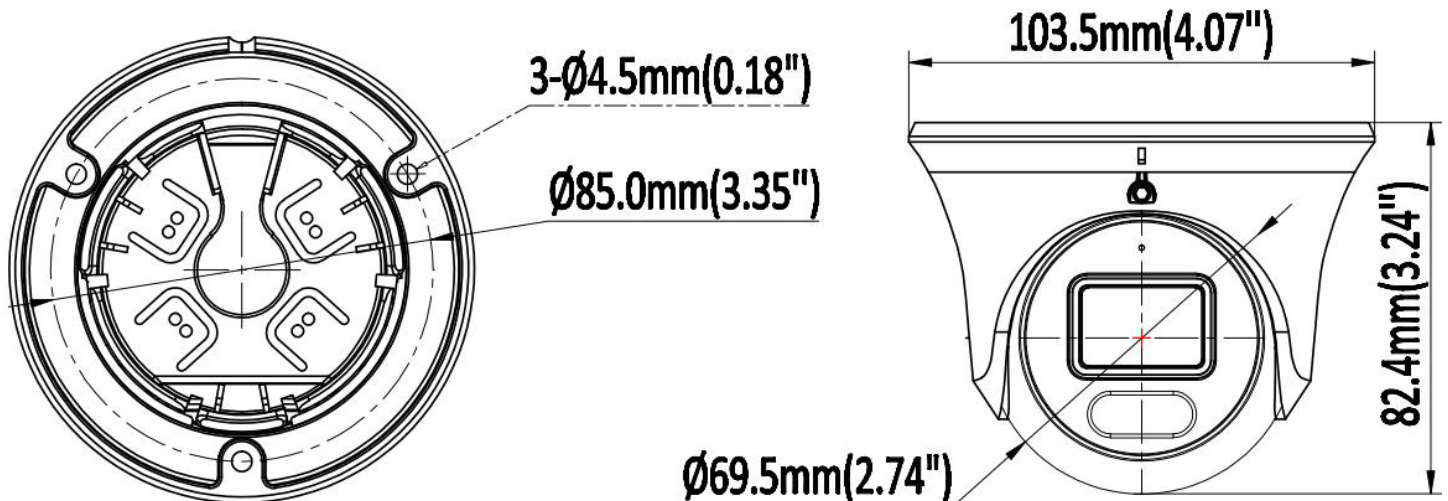
4.1MP ChromaView Lite Fixed Turret Network Camera /  
 4.1MP ChromaView Lite Fixed BLACK Turret Network Camera



### In Short

This 4MP ChromaView Lite fixed turret network camera is available in white or black and delivers detailed video with 24/7 colour imaging, a bright F1.0 lens, and smart illumination up to 30 m for improved visibility in low-light environments. With 120 dB WDR, H.265+ compression, built-in microphone, smart human and vehicle target classification, and IP67-rated protection, it is designed for reliable professional security applications. Built for trusted installations, this camera is 100% NDAA compliant and delivers a premium, dependable solution for commercial and enterprise environments.

### Dimensions



\*Design and specifications are subject to change without notice - Version 2026-05-15

# TECHNICAL SPECIFICATIONS

## Ordering Information

**Part Number** LGNXT04CVLWF / LGNXT04CVLWFB

## Camera

**Image Sensor** 1/2.7" 4 MP Progressive Scan CMOS Sensor

**Minimum Illumination** Colour: 0.004 Lux @ F1.0

**Illumination Distance** 30 m colour illumination; smart illumination supported

**Strobe Light** N/A

**Pan / Tilt / Rotation** Pan: 0° to 360° | Tilt: 0° to 75° | Rotation: 0° to 360°

## Lens

**Focal Length** 2.8 mm

**Aperture** F1.0

**Field of View**  
Horizontal: 101°  
Vertical: 54°  
Diagonal: 120°

**Mount** M12

## DORI

**Detect** 65 m

**Observe** 26 m

**Recognize** 13 m

**Identify** 6 m

## Compression

**Video Compression** H.265+ / H.265 / H.264+ / H.264 / MJPEG

**H.265 Codec Profile** Main Profile

**H.264 Codec Profile** Base / Main / High Profile

**Video Bit Rate** 11 Kbps to 6 Mbps

**Multiple Streams** Triple streams supported

**Audio Compression** G.711A, G.711U

**Audio Bit Rate** 64 Kbps

## Image

**Maximum Resolution** 4MP (2688 x 1520); 3MP (2304 x 1296); 1080P (1920 x 1080); 1.3MP (1280 x 960); 720P (1280 x 720); D1 (704 x 576 / 704 x 480); VGA (640 x 480); CIF (352 x 288 / 352 x 240)

## Main Stream

2688 x 1520 at 1 to 25/30 fps

\*Design and specifications are subject to change without notice

# TECHNICAL SPECIFICATIONS

<b>Sub Stream</b>	
704 x 576 at 1 to 25 fps; 704 x 480 at 1 to 30 fps	
<b>Third Stream</b>	
N/A	
<b>Image Settings</b>	
<b>Parameters</b>	Brightness / Contrast / Saturation / Hue / Sharpness
<b>Shutter</b>	Auto / Manual, 1/3 s to 1/100000 s
<b>Day / Night</b>	CHROMAVIEW: 24/7 full-colour imaging
<b>WDR</b>	120 dB
<b>Noise Reduction</b>	2D / 3D DNR
<b>BLC</b>	Backlight compensation supported
<b>HLC</b>	Highlight compensation supported
<b>ROI</b>	Region of interest supported
<b>Rotation</b>	Image rotation supported
<b>Smart Features</b>	
<b>Basic Events</b>	Motion detection, video tampering
<b>Smart Events</b>	Smart motion detection, line crossing, intrusion, region entrance, region exiting; alarm triggering by specified human and vehicle target types
<b>Face Detection</b>	Not available
<b>Network</b>	
<b>Storage</b>	NAS (NFS, SMB/CIFS)
<b>Protocols</b>	TCP/IP, ICMP, HTTP, HTTPS, FTP, DHCP, DNS, DDNS, RTP, RTSP, RTCP, NTP, IGMP, UPnP, SMTP, UPnP-TM, P2P
<b>Compatibility</b>	ONVIF Profile S, Profile G, Profile T; SDK
<b>Security</b>	IP address filtering, basic and digest authentication for HTTP/HTTPS, TLS 1.1/1.2, WSSE, and digest authentication for ONVIF
<b>Users</b>	Up to 10 users
<b>Browsers</b>	Plug-in required live view: IE 10, IE 11; Plug-in free live view: Chrome 57.0+, Firefox 52.0+, Edge 89+; Local service: Chrome 57.0+, Firefox 52.0+
<b>Mobile</b>	iOS, Android
<b>Active Deterrence</b>	
<b>Red/Blue Light</b>	N/A
<b>Sound Warning</b>	N/A

\*Design and specifications are subject to change without notice

# TECHNICAL SPECIFICATIONS

## Interface

<b>Network</b>	1 RJ45 10M/100M self-adaptive Ethernet port
<b>On-board Storage</b>	Up to 256GB
<b>Microphone</b>	Built-in microphone supported
<b>Speaker</b>	N/A
<b>Audio Input / Output</b>	N/A
<b>Alarm Input / Output</b>	N/A
<b>Reset Button</b>	N/A

## General

<b>Operating Conditions</b>	-40°C to 60°C (-40°F to 140°F)
<b>Humidity</b>	95% or less, non-condensing
<b>Power Supply</b>	12V DC ± 25%
<b>PoE</b>	PoE IEEE 802.3af
<b>Power Consumption</b>	Maximum 5.4 W
<b>Protection</b>	IP67, 2KV
<b>Material</b>	Metal housing
<b>Dimensions</b>	Ø103.5 x 85 mm (Ø4.07" x 3.35")
<b>Weight</b>	450 g (0.99 lb)

\*Design and specifications are subject to change without notice

# TECHNICAL SPECIFICATIONS

## Accessories



XLGNXLB10(B) - Junction Box,  $\varnothing 112.5 \times 49.5$  mm



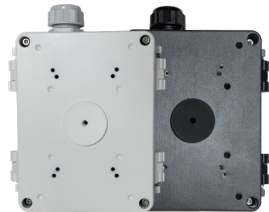
XLGNXLB14C(B) - Wall Mount,  $\varnothing 120 \times 105.8 \times 183.5$  mm



XLGNXPM03 - Pole mount,  $\varnothing 170 \times 135.8 \times 43.7$  mm



XLGNXCM700 - Pendant Mount,  $\varnothing 116 \times 734.5$  mm



XLGNXJB17(B) - Junction box with doors and hinges for XLGNXLB07C(B) and XLGNXLB14C(B),  $170 \times 153.6 \times 70$  mm

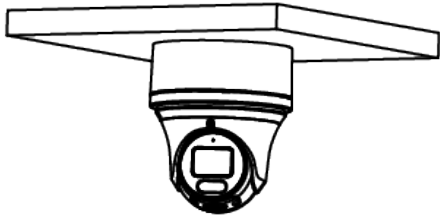


XLGNXPC1B5 - Corner Mounting Bracket,  $194 \times 183 \times 104$  mm

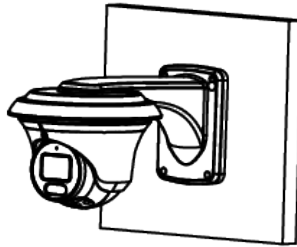
\*Design and specifications are subject to change without notice

# TECHNICAL SPECIFICATIONS

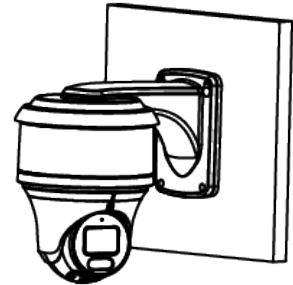
## Accessories Mount



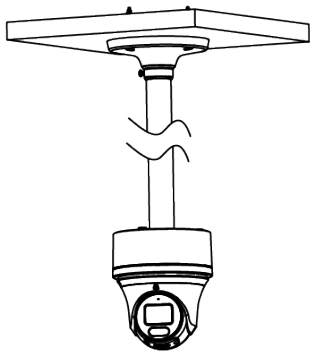
**XLGNXLB10(B)**



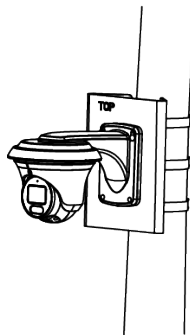
**XLGNXLB14C(B)**



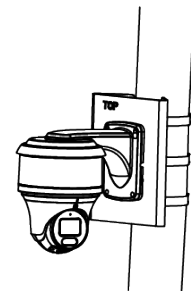
**XLGNXLB10(B) + XLGNXLB14C(B)**



**XLGNXLB10(B) + XLGNXCM700**



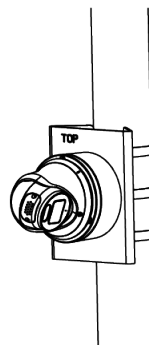
**XLGNXLB14C(B) + XLGNXPM03**



**XLGNXLB10(B) + XLGNXLB14C(B) +  
XLGNXPM03**



**XLGNXPM03**



**XLGNXLB10(B) + XLGNXPM03**

\*Design and specifications are subject to change without notice